

## DSP4006

### 100W 6.5" 2-Way Commercial Weatherproof Horn Loudspeaker



#### Description

Designed for exceptional audio quality, this speaker features a high-power coaxial driver and horn tweeter, delivering clear, well-layered sound with deep bass and bright, penetrating highs. Its sleek, refined design and IP56 waterproof rating make it ideal for both indoor and outdoor venues — including parks, schools, airports, and plazas. Constructed from premium materials such as a hardened anti-oxidation 1060 pure aluminum grille and a high-strength engineering plastic enclosure, it offers lasting durability and permanent rust resistance. The P-film tweeter diaphragm and large-magnetic-circuit polypropylene woofer enhance performance, while the precision-formed, rust-resistant carbon steel mounting bracket ensures a secure installation.

#### Features

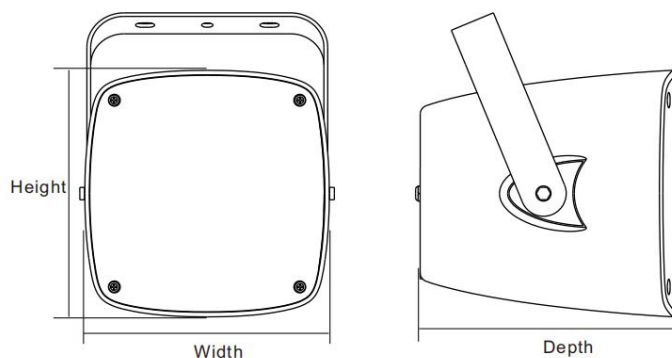
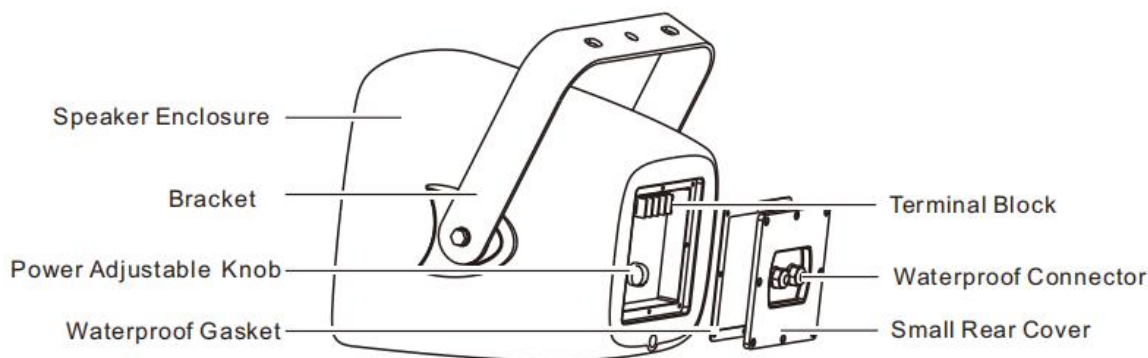
- High-power coaxial driver and horn tweeter deliver clearly layered sound, powerful bass, and bright, penetrating highs.
- Streamlined design with smooth, elegant lines for a stylish and refined appearance.
- 1060 pure aluminum grille with hardening and anti-oxidation treatment resists deformation and rust permanently.
- High-strength engineering plastic enclosure ensures durability, safety, and long-term reliability.

- P-film tweeter diaphragm and polypropylene woofer with a large magnetic circuit enhance overall audio performance.
- High-quality carbon steel mounting bracket features precision bending and rust-resistant treatment.
- IP56 waterproof rating enables all-weather reliability for indoor and outdoor venues, including parks, schools, plazas, airports, and high-speed railway stations.

## Specifications

Model		DSP4006
Speaker Unit		6.5"×1, 1"×1
Rated Power		100W
Power Adjustment	70V	50W-25W-12.5W-6.25W
	100V	100W-50W-25W-12.5W
	8Ω	100W
Frequency Response		100Hz-18kHz
Sensitivity (1m, 1W)		93dB ± 2dB
Max. SPL (1m)		113dB ± 2dB
Operating Temperature		-20°C ~ +50°C
Product Size (H×W×D)		260×258×272mm
Net Weight		7.0kg
Gross Weight		8.0kg

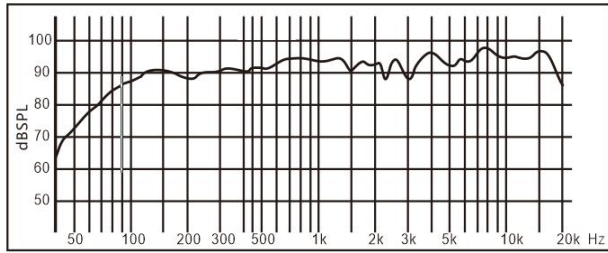
## Product Information



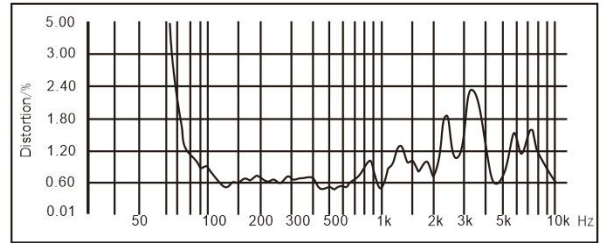
Height	Width	Depth
260	258	272

Product Dimension (Unit:mm)

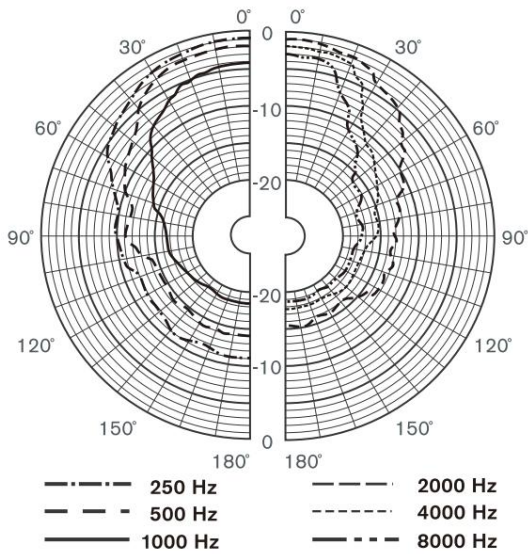
### Frequency Response Characteristics (dB SPL, 1W, 1m)



### Distortion Characteristic (THD < 5% 1W, 1m, 100Hz-10kHz)



### Vertical Directivity Pattern



### Horizontal Directivity Pattern

